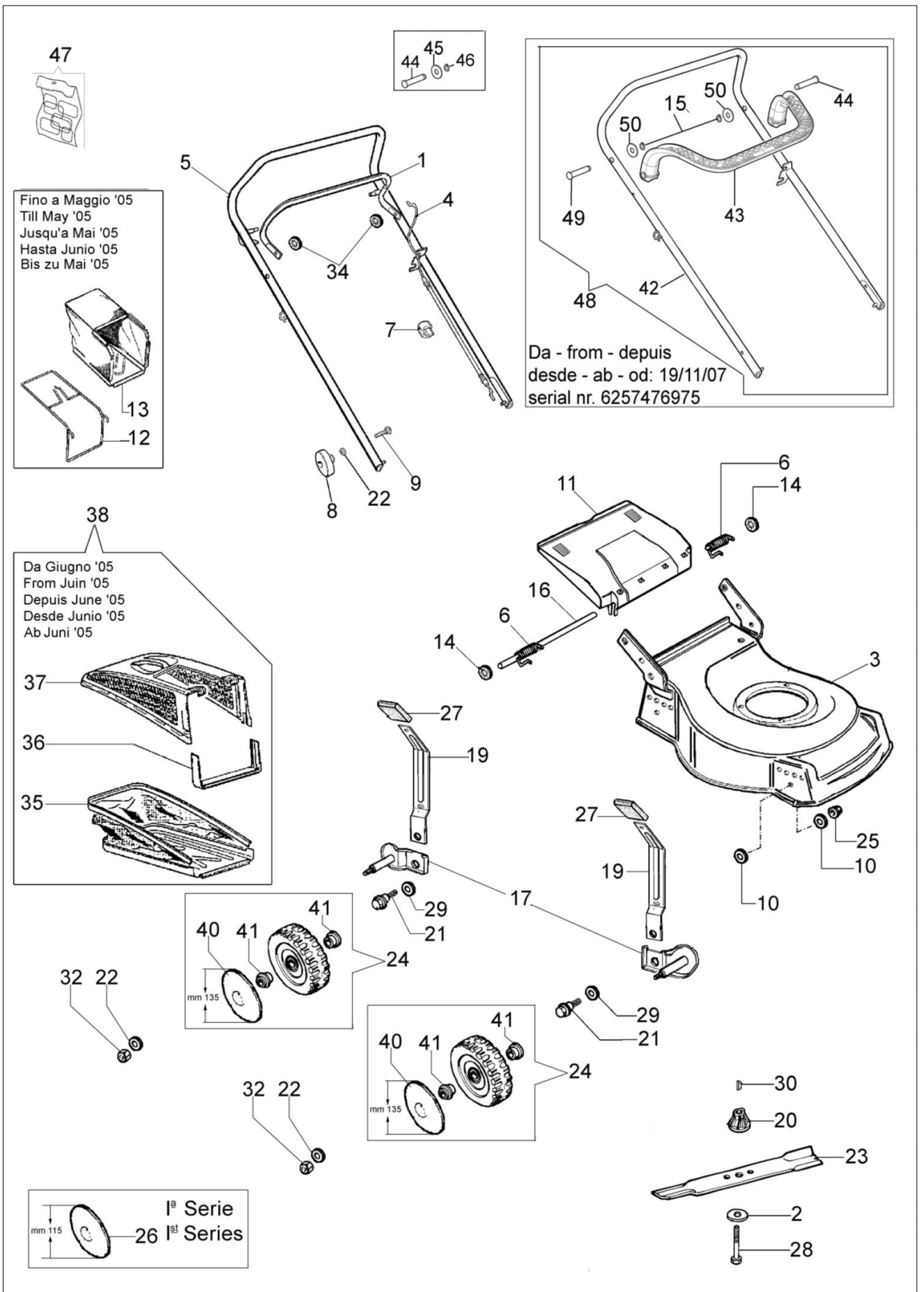


LR 44 PB Kosiarka



Dokumenty

[Kompletny katalog](#)



Ilustracja Kompletny katalog

| Znak | Ilosc | Kod artykul | Opis | Waznosc od | Waznosc do | Notakt | Biuletyny |
|------|-------|-------------|-----------------------------|---------------|------------|------------------|---------------|
| 1 | 1 | 66060106R | Dźwignia hamulca | | | | BT5-049-04/08 |
| 2 | 1 | 66060384R | Podkladka | | | | |
| 3 | 1 | 66100232AR | Korpus | | | | BT5-045-12/07 |
| 4 | 1 | 66060108R | Linka hamulca silnika | | | | |
| 5 | 1 | 66060104AR | Uchwyt | | | | BT5-049-04/08 |
| 6 | 1 | 66110610 | Kit Sprezyna | | | | |
| 7 | 1 | 66060231 | Tasma | | | | |
| 8 | 2 | 4119013AR | Dźwignia napinająca | | | | |
| 9 | 2 | 3910015R | Sruba | | | | |
| 10 | 8 | 66030012R | Podkladka | | | | |
| 11 | 1 | 66110014R | Przeslona | | | | |
| 12 | 1 | 66110019 | Rama | | | | |
| 13 | 1 | 66070379A | Zbiornik ściętej trawy kpl. | | | | |
| 14 | 1 | 3045034R | Podkladka | | | | |
| 15 | 2 | 3024006R | Pierscien sprzysty | SN 6250439948 | | | BT5-065-02/11 |
| 16 | 1 | 66110026R | Os deflektora | | | | |
| 17 | 1 | 66070301A | Podstawa/uchwyt kpl. | | | | BT5-060-11/09 |
| 19 | 2 | 66070031R | Dzwignia | | | | |
| 20 | 1 | 66030003AR | Piasta noza | | | | |
| 21 | 1 | 66070030A | Trzpień (zabezpieczający) | | | | |
| 22 | 1 | 66030012R | Podkladka | | | | |
| 23 | 1 | 66100221R | Prawy nóż standard | | | Alettata; Winged | BT5-078-07/14 |
| 24 | 4 | 66110281 | Zestaw kół | | | | BT5-038-01/07 |
| 25 | 1 | 3933032R | Nakretka | | | | |
| 26 | 4 | 66100126 | Pokrywa koła | | | | BT5-038-01/07 |
| 27 | 2 | 66070021R | Uchwyt | | | | |
| 28 | 1 | 3906150R | Sruba | | | | |
| 29 | 1 | 3027001R | Podkladka | | | | |
| 30 | 1 | 8202126R | Wpust | | | | |
| 32 | 4 | 3914010R | Nakretka | | | | |
| 34 | 2 | 3045033R | Podkladka | | | | BT5-049-04/08 |
| 35 | 1 | 66070329R | Zbiornik ściętej trawy | | | | |
| 36 | 1 | 66070133R | Mocowanie | | | | |
| 37 | 1 | 66070132R | Rama | | | | |
| 38 | 1 | 66070379A | Zbiornik ściętej trawy kpl. | | | | |
| 40 | 4 | 66110278R | | | | | |
| 41 | 8 | 66070497R | | | | | |
| 42 | 1 | 66060421BR | | | | | |
| 43 | 1 | 66060316AR | | | | | |
| 44 | 2 | 66060317BR | | | | | |

Ilustracja Kompletny katalog

| Znak | Ilosc | Kod artykul | Opis | Waznosc od | Waznosc do | Notakt | Biuletyny |
|------|-------|-------------|---------------------------|---------------|------------|--------|---------------|
| 49 | 2 | 66060317BR | Trzpień (zabezpieczający) | SN 6250439948 | | | BT5-065-02/11 |
| 50 | 2 | 3064037 | Podkładka | SN 6250439948 | | | BT5-065-02/11 |