

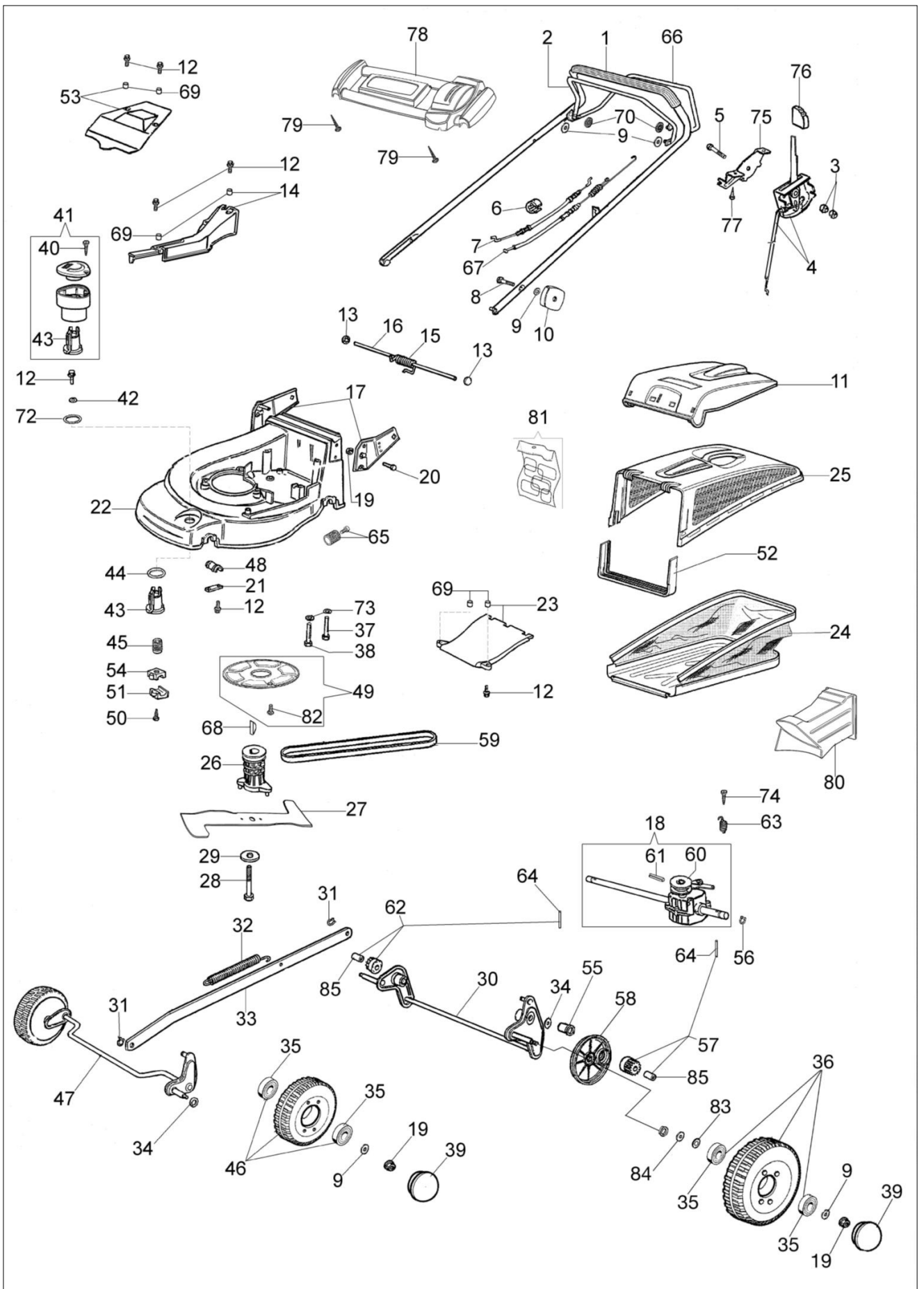
## AR 53 TBX Plus-Cut Kosiarka



### Dokumenty

[Kompletny katalog \(od czerwca '07\)](#)

[Kompletny katalog \(do maja '07\)](#)



## Ilustracja Kompletny katalog (od czerwca '07)

| Znak | Ilosc | Kod artykul | Opis                   | Waznosc od    | Waznosc do | Notakt | Biuletyny     |
|------|-------|-------------|------------------------|---------------|------------|--------|---------------|
| 1    | 1     | 66060104AR  | Uchwyt                 |               |            |        |               |
| 2    | 1     | 66060106R   | Dźwignia hamulca       |               |            |        |               |
| 3    | 2     | 3914006R    | Nakretka               |               |            |        |               |
| 4    | 1     | 66060062R   | Linka gazu             |               |            |        |               |
| 5    | 2     | 3910019     | Śruba                  |               |            |        |               |
| 6    | 2     | 66060231    | Tasma                  |               |            |        |               |
| 7    | 1     | 66060506R   | Linka hamulca          |               |            |        |               |
| 8    | 2     | 3910015R    | Sruba                  |               |            |        |               |
| 9    | 4     | 3916008R    | Podkładka              |               |            |        |               |
| 10   | 2     | 66060395R   | Pokrętko               |               |            |        |               |
| 11   | 1     | 66060254    | Przesłona              |               |            |        |               |
| 12   | 12    | 3960031R    | Sruba                  |               |            |        | BT5-043-06/07 |
| 13   | 2     | 3045027R    | Blokada                |               |            |        |               |
| 14   | 1     | 66062026    | Pokrywa                |               |            |        |               |
| 15   | 1     | 66060060    | Sprężyna               |               |            |        |               |
| 16   | 1     | 66060055    | Oś deflektora          |               |            |        |               |
| 17   | 1     | 66060394    | Podstawa/uchwyt        |               |            |        |               |
| 18   | 1     | 66060360DR  | Przeniesienie napędu   |               |            |        |               |
| 19   | 4     | 3914010R    | Nakretka               |               |            |        |               |
| 20   | 4     | 3906066R    | Śruba                  |               |            |        |               |
| 21   | 4     | 66060008AR  | Płytki                 |               |            |        |               |
| 22   | 1     | 66060003AR  | Korpus                 |               |            |        | BT5-043-06/07 |
| 23   | 1     | 66062096    | Pokrywa                |               |            |        |               |
| 24   | 1     | 66060535R   | Zbiornik ściętej trawy |               |            |        |               |
| 25   | 1     | 66060255R   | Rama                   |               |            |        |               |
| 26   | 1     | 66060131    | Piasta Ø22,2mm         |               |            |        |               |
| 27   | 1     | 66060413R   | Nóż mielący 53         | SN 6161074307 |            |        | BT5-067-03/11 |
| 28   | 1     | 3906162R    | Śruba                  |               |            |        |               |
| 29   | 1     | 66060384R   | Podkładka              |               |            |        |               |
| 30   | 1     | 66060024CR  | Tylna oś kpl.          |               |            |        |               |
| 31   | 2     | 3033129R    | Podkładka              |               |            |        |               |
| 32   | 1     | 66060043    | Sprężyna               |               |            |        |               |
| 33   | 1     | 66060027R   | Cięgno                 |               |            |        |               |
| 34   | 2     | 3027001R    | Podkładka              |               |            |        |               |
| 35   | 8     | 3035023R    | Lozysko                |               |            |        |               |
| 36   | 2     | 66060274R   | Koło                   |               |            |        |               |
| 37   | 2     | 3806077     | Śruba                  |               |            |        |               |
| 38   | 1     | 3906083R    | Śruba                  |               |            |        |               |
| 39   | 4     | 66060276    | Pokrywa koła           |               |            |        |               |
| 40   | 1     | 3960013R    | Sruba                  |               |            |        |               |
| 41   | 1     | 66060355A   | Pokrętko kpl.          |               |            |        |               |
| 42   | 1     | 3918017R    | Podkładka              |               |            |        |               |
| 43   | 1     | 66060037AR  | Gwint wewnętrzny       |               |            |        |               |
| 44   | 1     | 66060038R   | Podkładka              |               |            |        |               |
| 45   | 1     | 66060039AR  | Śruba                  |               |            |        |               |
| 46   | 2     | 66060275AR  | Koło                   |               |            |        |               |

# Ilustracja Kompletny katalog (od czerwca '07)

| Znak | Ilosc | Kod artykul | Opis                    | Waznosc od    | Waznosc do    | Notakt | Biuletyny  |
|------|-------|-------------|-------------------------|---------------|---------------|--------|--|
| 47   | 1     | 66060020CR  | Oś przednia             |               |               |        |  |
| 48   | 2     | 66060007R   | Tulejka                 |               |               |        |  |
| 49   | 1     | 66060375A   | Ośłona                  |               |               |        | BT5-043-06/07                                    |
| 50   | 2     | 3960040R    | Sruba                   |               |               |        |  |
| 51   | 1     | 66060410    | Piasta                  |               |               |        |  |
| 52   | 1     | 66060256R   | Mocowanie               |               |               |        |  |
| 53   | 1     | 66062027    | Pokrywa                 |               |               |        |  |
| 54   | 1     | 66060410    | Piasta                  |               |               |        |  |
| 55   | 2     | 66060030R   | Tulejka                 |               |               |        |  |
| 56   | 4     | 3024012R    | Pierscien sprzysty      |               |               |        |  |
| 57   | 1     | 66060537R   | Zębatka napędowa lewego | SN 6165139390 |               |        | BT5-083-05/15                                    |
| 58   | 1     | 66060293AR  | Pokrywa koła            |               |               |        |  |
| 59   | 1     | 3047028R    | Pasek                   |               |               |        | BT5-040-04/07                                    |
| 60   | 1     | 66060419R   | Koło pasowe             |               |               |        | BT5-040-04/07,                                   |
| 61   | 1     | 3022020R    | Sworzen                 |               |               |        | BT5-040-04/07,                                   |
| 62   | 1     | 66060538R   | Zębatka napędowa prawa  | SN 6165139390 |               |        | BT5-062-01/10,<br>BT5-056-06/09<br>BT5-083-05/15 |
| 63   | 1     | 66060286R   | Sprężyna                |               |               |        | BT5-040-04/07,                                   |
| 64   | 2     | 66060536R   | Walek                   | SN 6165139390 |               |        | BT5-056-06/09<br>BT5-083-05/15                   |
| 64   | 2     | 66060010R   | Walek                   |               | SN 6165139389 |        | BT5-083-05/15                                    |
| 65   | 1     | 66090155A   | Amortyzator             |               |               |        | BT5-040-04/07,                                   |
| 66   | 1     | 66060105R   | Dźwignia napędu         |               |               |        | BT5-062-01/10,                                   |
| 67   | 1     | 66060508R   | Linka napędu            |               |               |        | BT5-040-04/07,                                   |
| 68   | 1     | 8202126R    | Wpust                   |               |               |        |  |
| 69   | 8     | 66060110R   |                         |               |               |        |  |
| 70   | 2     | 3045033R    |                         |               |               |        |  |
| 72   | 1     | 66060118R   |                         |               |               |        |  |
| 73   | 3     | 3918013R    |                         |               |               |        |  |
| 74   | 1     | 3960087AR   |                         |               |               |        |  |
| 75   | 1     | 66060259    |                         |               |               |        |  |
| 76   | 1     | 66060080R   |                         |               |               |        |  |
| 77   | 2     | 3960059AR   |                         |               |               |        |  |
| 78   | 1     | 66060258R   |                         |               |               |        |  |
| 79   | 2     | 3960072     |                         |               |               |        |  |
| 80   | 1     |             |                         |               |               |        |  |
| 81   | 1     |             |                         |               |               |        |  |
| 82   | 3     |             |                         |               |               |        |  |
| 83   | 2     |             |                         |               |               |        |  |
| 84   | 2     |             |                         |               |               |        |  |
| 85   | 2     |             |                         |               |               |        |  |



## Ilustracja Kompletny katalog (do maja '07)

| Znak | Ilosc | Kod artykul | Opis                   | Waznosc od | Waznosc do | Notakt  | Biuletyny     |
|------|-------|-------------|------------------------|------------|------------|---------|---------------|
| 1    | 1     | 66060104AR  | Uchwyt                 |            |            |         |               |
| 2    | 1     | 66060106R   | Dźwignia hamulca       |            |            |         |               |
| 3    | 2     | 3914006R    | Nakretka               |            |            |         |               |
| 4    | 1     | 66060109    | Linka gazu             |            |            | 1117 mm |               |
| 4    | 1     | 66060062R   | Linka gazu             |            |            | 1450 mm |               |
| 5    | 1     | 3906164R    | Sruba                  |            |            |         |               |
| 6    | 2     | 66060231    | Tasma                  |            |            |         |               |
| 7    | 1     | 66060506R   | Linka hamulca          |            |            |         |               |
| 8    | 2     | 3910015R    | Sruba                  |            |            |         |               |
| 9    | 4     | 3916008R    | Podkładka              |            |            |         |               |
| 10   | 2     | 66060395R   | Pokrętko               |            |            |         |               |
| 11   | 1     | 66060254    | Przesłona              |            |            |         |               |
| 12   | 15    | 3960031R    | Sruba                  |            |            |         |               |
| 13   | 2     | 3045027R    | Blokada                |            |            |         |               |
| 14   | 1     | 66062026    | Pokrywa                |            |            |         |               |
| 15   | 1     | 66060060    | Sprężyna               |            |            |         |               |
| 16   | 1     | 66060055    | Oś deflektora          |            |            |         |               |
| 17   | 1     | 66060394    | Podstawa/uchwyt        |            |            |         |               |
| 18   | 1     | 66060394    | Podstawa/uchwyt        |            |            |         |               |
| 19   | 4     | 3914010R    | Nakretka               |            |            |         |               |
| 20   | 4     | 3906066R    | Śruba                  |            |            |         |               |
| 21   | 4     | 66060008AR  | Płytką                 |            |            |         |               |
| 22   | 1     | 66060003AR  | Korpus                 |            |            |         |               |
| 23   | 1     | 66062096    | Pokrywa                |            |            |         |               |
| 24   | 1     | 66060535R   | Zbiornik ściętej trawy |            |            |         |               |
| 25   | 1     | 66060255R   | Rama                   |            |            |         |               |
| 26   | 1     | 66060131    | Piasta Ø22,2mm         |            |            |         | BT5-039-03/07 |
| 27   | 1     | 66060413R   | Nóż mielący 53         |            |            |         | BT5-067-03/11 |
| 28   | 1     | 3906162R    | Śruba                  |            |            |         |               |
| 29   | 1     | 66060384R   | Podkładka              |            |            |         | BT5-039-03/07 |
| 30   | 1     | 66060024CR  | Tylna oś kpl.          |            |            |         |               |
| 31   | 2     | 3033129R    | Podkładka              |            |            |         |               |
| 32   | 1     | 66060043    | Sprężyna               |            |            |         |               |
| 33   | 1     | 66060027R   | Cięgno                 |            |            |         |               |
| 34   | 2     | 3027001R    | Podkładka              |            |            |         |               |
| 35   | 8     | 3035023R    | Lozysko                |            |            |         |               |
| 36   | 2     | 66060274R   | Koło                   |            |            |         |               |
| 37   | 2     | 3806077     | Śruba                  |            |            |         |               |
| 38   | 1     | 3906083R    | Śruba                  |            |            |         |               |
| 39   | 4     | 66060276    | Pokrywa koła           |            |            |         |               |
| 40   | 1     | 3960013R    | Sruba                  |            |            |         | BT5-036-10/06 |
| 41   | 1     | 66060355A   | Pokrętko kpl.          |            |            |         | BT5-036-10/06 |
| 42   | 1     | 3918017R    | Podkładka              |            |            |         |               |
| 43   | 1     | 66060037AR  | Gwint wewnętrzny       |            |            |         | BT5-036-10/06 |
| 44   | 1     | 66060038R   | Podkładka              |            |            |         |               |
| 45   | 1     | 66060039AR  | Śruba                  |            |            |         |               |

## Ilustracja Kompletny katalog (do maja '07)

| Znak | Ilosc | Kod artykul | Opis                        | Waznosc od    | Waznosc do    | Notakt   | Biuletyny                       |
|------|-------|-------------|-----------------------------|---------------|---------------|--|---------------------------------|
| 46   | 2     | 66060275AR  | Koło                        |               |               |  |                                 |
| 47   | 1     | 66060020CR  | Oś przednia                 |               |               |  |                                 |
| 48   | 1     | 66060007R   | Tulejka                     |               |               |  |                                 |
| 49   | 1     | 66060170BR  | Wentylator                  |               | SN 6161074306 | Non utilizzare con lama  | BT5-067-03/11                   |
| 50   | 2     | 3960040R    | Sruba                       |               |               | with mulching blade winged   |                                 |
| 51   | 1     | 66060410    | Piasta                      |               |               |  |                                 |
| 52   | 1     | 66060256R   | Mocowanie                   |               |               |  |                                 |
| 53   | 1     | 66062027    | Pokrywa                     |               |               |  |                                 |
| 54   | 1     | 66060410    | Piasta                      |               |               |  |                                 |
| 55   | 2     | 66060030R   | Tulejka                     |               |               |  |                                 |
| 56   | 4     | 3024012R    | Pierscien sprzysty          |               |               |  |                                 |
| 57   | 1     | 66060537R   | Zębatka napędowa lewego     | SN 6165139390 |               |  | BT5-083-05/15                   |
| 58   | 1     | 66060293AR  | Pokrywa koła                |               |               |  |                                 |
| 59   | 1     | 3047019R    | Pasek 10X875                |               |               |  | BT5-040-04/07                   |
| 60   | 1     | 66070450R   | Kolo pasowe                 |               |               |  | BT5-040-04/07                   |
| 61   | 1     | 3022020R    | Sworzen                     |               |               |  | BT5-040-04/07                   |
| 62   | 1     | 66060538R   | Zębatka napędowa prawa      | SN 6165139390 |               |  | BT5-083-05/15                   |
| 63   | 1     | 66060044R   | Sprężyna                    |               |               |  | BT5-040-04/07                   |
| 64   | 2     | 66060010R   | Walek                       |               | SN 6165139389 |  | BT5-083-05/15                   |
| 64   | 2     | 66060010R   | Walek                       | SN 6165139390 |               |  | BT5-083-05/15                   |
| 65   | 1     | 66060366D   | Zestaw przeniesienie napędu |               |               | Per abbinamento trasmissione/cinghia, vedi bollettino; To match transmission/belt, see | BT5-040-04/07                   |
| 66   | 1     | 66060105R   | Dźwignia napędu             |               |               |  |                                 |
| 67   | 1     | 66060363R   | Linka napędu                |               |               |  | BT5-037-11/06,<br>BT5-040-04/07 |
| 68   | 2     | 3960059AR   | Śruba                       |               |               |  |                                 |
| 69   | 1     | 66060259    | Mocowanie                   |               |               |  |                                 |
| 70   | 1     | 66060080R   | Uchwyt                      |               |               |  |                                 |
| 71   | 1     | 66060258R   | Panel sterowania            |               |               |  |                                 |
| 72   | 1     | 66060118R   | Pierścień                   |               |               |  |                                 |
| 73   | 3     | 3918013R    | Podkładka                   |               |               |  |                                 |
| 74   | 1     | 8202126R    | Wpust                       |               |               |  |                                 |
| 75   | 3     | 66060110R   | Dystans                     |               |               |  |                                 |
| 76   | 1     | 66030054    | Płytką                      |               |               |  | BT5-040-04/07                   |
| 77   | 1     | 66070980R   | Sprężyna                    |               |               |  | BT5-040-04/07                   |
| 78   | 1     | 66070100    | Dźwignia napędu             |               |               |  | BT5-040-04/07                   |
| 79   | 2     | 3045033R    | Podkładka                   |               |               |  |                                 |
| 80   | 1     | 66060372R   | Mulching korek              |               |               |  |                                 |
| 81   | 2     | 3960072     | Śruba                       |               |               |  |                                 |
| 82   | 2     | 66060415R   | Tulejka                     | SN 6165139390 |               |  | BT5-083-05/15                   |