

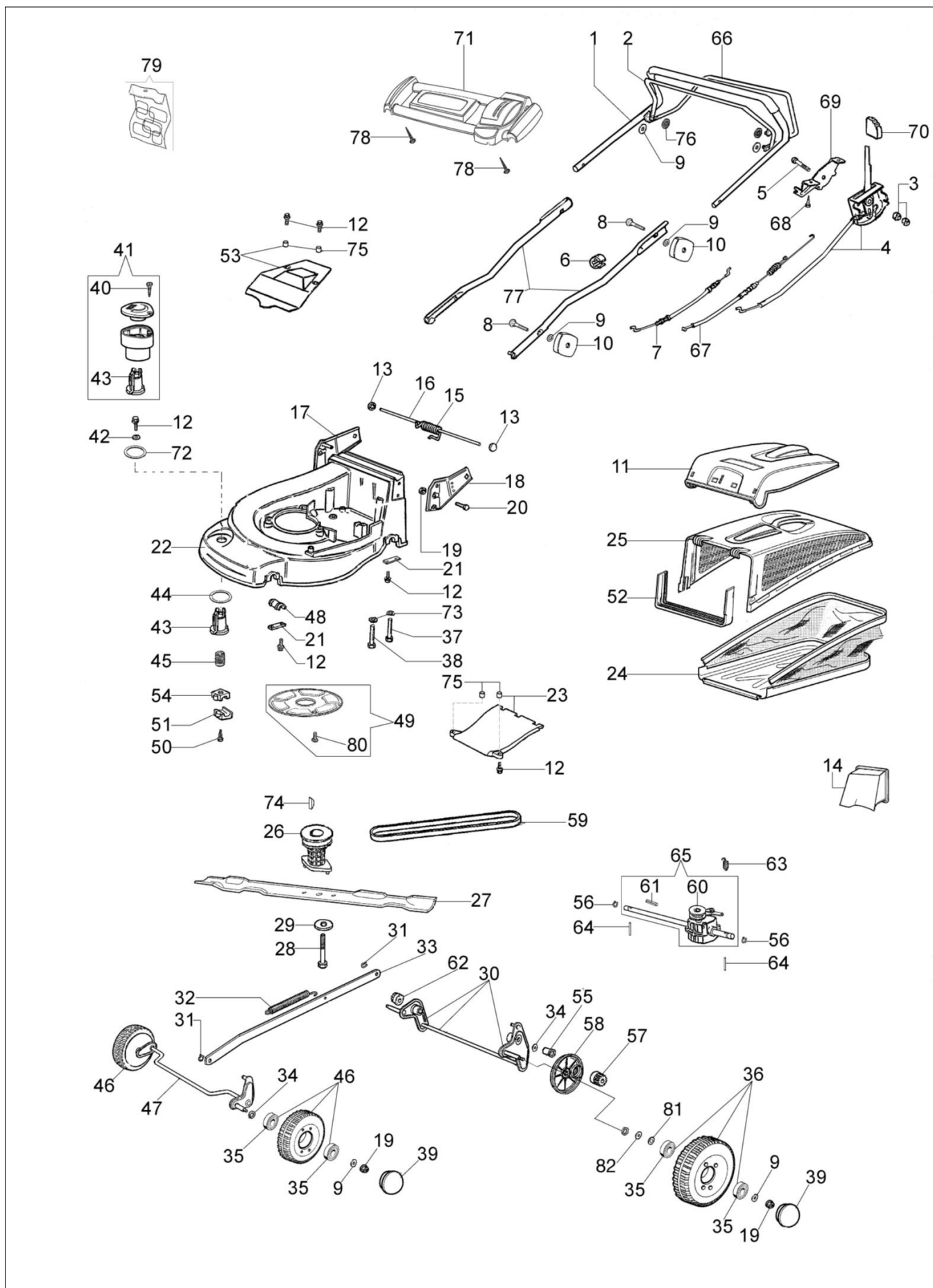
AR 44 TBX Plus-Cut Kosiarka



Dokumenty

[Kompletny katalog \(od czerwca '07\)](#)

[Kompletny katalog \(do maja '07\)](#)

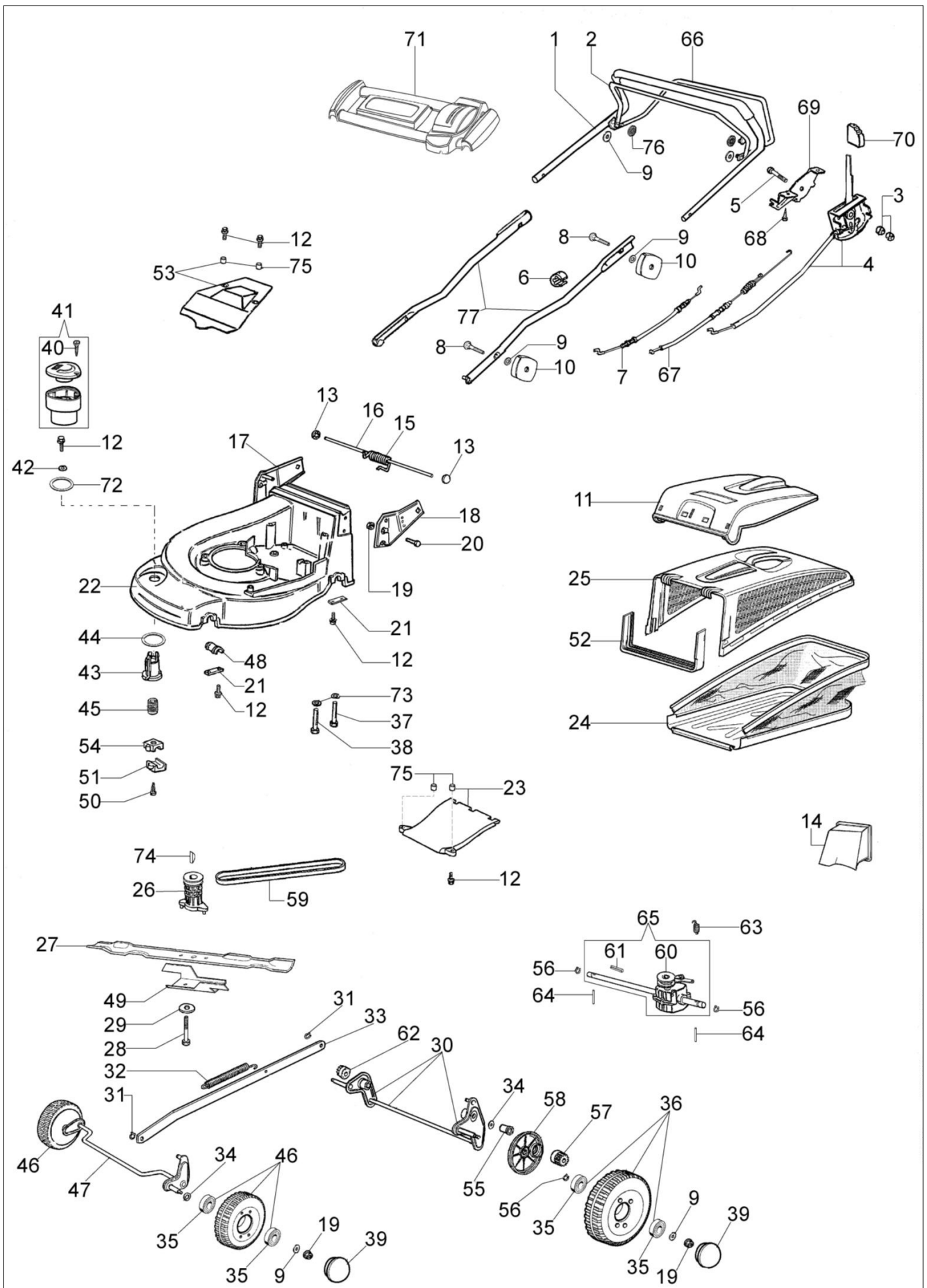


Ilustracja Kompletny katalog (od czerwca '07)

| Znak | Ilosc | Kod artykul | Opis | Waznosc od | Waznosc do | Notakt | Biuletyny |
|------|-------|-------------|------------------------|------------|------------|--------|---------------|
| 1 | 1 | 66140006 | Uchwyt | | | | |
| 2 | 1 | 66060106R | Dźwignia hamulca | | | | |
| 3 | 2 | 3914006R | Nakretka | | | | |
| 4 | 1 | 66060062R | Linka gazu | | | | |
| 5 | 1 | 3906164R | Sruba | | | | |
| 6 | 2 | 66060231 | Tasma | | | | |
| 7 | 1 | 66060506R | Linka hamulca | | | | |
| 8 | 2 | 3910015R | Sruba | | | | |
| 9 | 4 | 3916008R | Podkładka | | | | |
| 10 | 4 | 66060395R | Pokrętko | | | | |
| 11 | 1 | 66140010 | Przesłona | | | | |
| 12 | 12 | 3960031R | Sruba | | | | BT5-043-06/07 |
| 13 | 2 | 3045027R | Blokada | | | | |
| 14 | 1 | 66140041 | Mulching korek | | | | |
| 15 | 1 | 66060060 | Sprężyna | | | | |
| 16 | 1 | 66140055 | Oś deflektora | | | | |
| 17 | 1 | 66060394 | Podstawa/uchwyt | | | | |
| 18 | 1 | 66062098 | Zestaw etykiet | | | | |
| 19 | 4 | 3914010R | Nakretka | | | | |
| 20 | 4 | 3906066R | Śruba | | | | |
| 21 | 4 | 66060008AR | Płytki | | | | |
| 22 | 1 | 66140002A | Korpus | | | | BT5-043-06/07 |
| 23 | 1 | 66140061 | Pokrywa | | | | |
| 24 | 1 | 66140070 | Zbiornik ściętej trawy | | | | |
| 25 | 1 | 66140017R | Rama | | | | |
| 26 | 1 | 66060131 | Piasta Ø22,2mm | | | | |
| 27 | 1 | 66140013R | Nóż mielący | | | | |
| 28 | 1 | 3906162R | Śruba | | | | |
| 29 | 1 | 66060384R | Podkładka | | | | |
| 30 | 1 | 66140024A | Tylna oś | | | | |
| 31 | 2 | 3026007R | Pierścień | | | | |
| 32 | 1 | 66060043 | Sprężyna | | | | |
| 33 | 1 | 66140027 | Cięgno | | | | |
| 34 | 2 | 3027001R | Podkładka | | | | |
| 35 | 8 | 3035023R | Lozysko | | | | |
| 36 | 2 | 66060274R | Koło | | | | |
| 37 | 2 | 3806077 | Śruba | | | | |
| 38 | 1 | 3906083R | Śruba | | | | |
| 39 | 4 | 66060276 | Pokrywa koła | | | | |
| 40 | 1 | 3960013R | Sruba | | | | |
| 41 | 1 | 66060355A | Pokrętko kpl. | | | | |
| 42 | 1 | 3918017R | Podkładka | | | | |
| 43 | 1 | 66060037AR | Gwint wewnętrzny | | | | |
| 44 | 1 | 66060038R | Podkładka | | | | |
| 45 | 1 | 66060039AR | Śruba | | | | |
| 46 | 2 | 66060275AR | Koło | | | | |

Ilustracja Kompletny katalog (od czerwca '07)

| Znak | Ilość | Kod artykuł | Opis | Ważność od | Ważność do | Notakt | Biuletyny |
|------|-------|-------------|-------------------------|------------|------------|--------|---------------|
| 47 | 1 | 66140020 | Oś przednia | | | | |
| 48 | 2 | 66060007R | Tulejka | | | | |
| 49 | 1 | 66140064A | Ośłona | | | | BT5-043-06/07 |
| 50 | 2 | 3960040R | Sruba | | | | |
| 51 | 1 | 66060410 | Piasta | | | | |
| 52 | 1 | 66140018R | Mocowanie | | | | |
| 53 | 1 | 66140060 | Pokrywa | | | | |
| 54 | 1 | 66060410 | Piasta | | | | |
| 55 | 2 | 66060030R | Tulejka | | | | |
| 56 | 4 | 3024012R | Pierscien sprężysty | | | | |
| 57 | 1 | 66060537R | Zębatka napędowa lewego | | | | |
| 58 | 1 | 66060293AR | Pokrywa koła | | | | |
| 59 | 1 | 3047027R | Pasek | | | | |
| 60 | 1 | 66060419R | Koło pasowe | | | | |
| 61 | 1 | 3022020R | Sworzeń | | | | |
| 62 | 1 | 66060538R | Zębatka napędowa prawa | | | | |
| 63 | 1 | 66060286R | Sprężyna | | | | |
| 64 | 2 | 66060010R | Walek | | | | |
| 65 | 1 | 66140034AR | Obudowa przekładni | | | | |
| 66 | 1 | 66060105R | Dźwignia napędu | | | | |
| 67 | 1 | 66140056R | Linka napędu | | | | |
| 68 | 2 | 3960059AR | Śruba | | | | |
| 69 | 1 | 66060259 | Mocowanie | | | | |
| 70 | 1 | 66060080R | Uchwyt | | | | |
| 71 | 1 | 66060258R | Panel sterowania | | | | |
| 72 | 1 | 66060118R | Pierścień | | | | |
| 73 | 3 | 3918013R | Podkładka | | | | |
| 74 | 1 | 8202126R | Wpust | | | | |
| 75 | 3 | 66060110R | Dystans | | | | BT5-043-06/07 |
| 76 | 2 | 3045033R | Podkładka | | | | |
| 77 | 1 | 66140058 | Podstawa/uchwyt | | | | |
| 78 | 2 | 3960072 | Śruba | | | | |
| 79 | 3 | 3960135R | Śruba | | | | |
| 80 | 1 | 3960135R | Śruba | | | | |
| 81 | 2 | 3064004AR | Podkładka | | | | |
| 82 | 2 | 3064024 | Podkładka | | | | |



Ilustracja Kompletny katalog (do maja '07)

| Znak | Ilosc | Kod artykul | Opis | Waznosc od | Waznosc do | Notakt | Biuletyny |
|------|-------|-------------|------------------------|------------|------------|--------|---------------|
| 1 | 1 | 66140006 | Uchwyt | | | | |
| 2 | 1 | 66060106R | Dźwignia hamulca | | | | |
| 3 | 2 | 3914006R | Nakretka | | | | |
| 4 | 1 | 66060062R | Linka gazu | | | | |
| 5 | 1 | 3906164R | Sruba | | | | |
| 6 | 2 | 66060231 | Tasma | | | | |
| 7 | 1 | 66060506R | Linka hamulca | | | | |
| 8 | 2 | 3910015R | Sruba | | | | |
| 9 | 4 | 3916008R | Podkładka | | | | |
| 10 | 4 | 66060395R | Pokrętło | | | | |
| 11 | 1 | 66140010 | Przesłona | | | | |
| 12 | 15 | 3960031R | Sruba | | | | |
| 13 | 2 | 3045027R | Blokada | | | | |
| 14 | 1 | 66140041 | Mulching korek | | | | |
| 15 | 1 | 66060060 | Sprężyna | | | | |
| 16 | 1 | 66140055 | Oś deflektora | | | | |
| 17 | 1 | 66060394 | Podstawa/uchwyt | | | | |
| 18 | 1 | 66060394 | Podstawa/uchwyt | | | | |
| 19 | 4 | 3914010R | Nakretka | | | | |
| 20 | 4 | 3906066R | Śruba | | | | |
| 21 | 4 | 66060008AR | Płytką | | | | |
| 22 | 1 | 66140002A | Korpus | | | | |
| 23 | 1 | 66140061 | Pokrywa | | | | |
| 24 | 1 | 66140070 | Zbiornik ściętej trawy | | | | |
| 25 | 1 | 66140017R | Rama | | | | |
| 26 | 1 | 66060131 | Piasta Ø22,2mm | | | | BT5-039-03/07 |
| 27 | 1 | 66140013R | Nóż mielący | | | | |
| 28 | 1 | 3906162R | Śruba | | | | |
| 29 | 1 | 66060384R | Podkładka | | | | BT5-039-03/07 |
| 30 | 1 | 66140024A | Tylna oś | | | | |
| 31 | 2 | 3026007R | Pierścień | | | | |
| 32 | 1 | 66060043 | Sprężyna | | | | |
| 33 | 1 | 66140027 | Cięgno | | | | |
| 34 | 2 | 3027001R | Podkładka | | | | |
| 35 | 8 | 3035023R | Lozysko | | | | |
| 36 | 2 | 66060274R | Koło | | | | |
| 37 | 2 | 3806077 | Śruba | | | | |
| 38 | 1 | 3906083R | Śruba | | | | |
| 39 | 4 | 66060276 | Pokrywa koła | | | | |
| 40 | 1 | 3960013R | Sruba | | | | |
| 41 | 1 | 66060355A | Pokrętło kpl. | | | | |
| 42 | 1 | 3918017R | Podkładka | | | | |
| 43 | 1 | 66060037AR | Gwint wewnętrzny | | | | |
| 44 | 1 | 66060038R | Podkładka | | | | |
| 45 | 1 | 66060039AR | Śruba | | | | |
| 46 | 2 | 66060275AR | Koło | | | | |

Ilustracja Kompletny katalog (do maja '07)

| Znak | Ilosc | Kod artykul | Opis | Waznosc od | Waznosc do | Notakt | Biuletyny |
|------|-------|-------------|-------------------------|------------|------------|--------|-----------|
| 47 | 1 | 66140020 | Oś przednia | | | | |
| 48 | 2 | 66060007R | Tulejka | | | | |
| 49 | 1 | 66060170BR | Wentylator | | | | |
| 50 | 2 | 3960040R | Sruba | | | | |
| 51 | 1 | 66060410 | Piasta | | | | |
| 52 | 1 | 66140018R | Mocowanie | | | | |
| 53 | 1 | 66140060 | Pokrywa | | | | |
| 54 | 1 | 66060410 | Piasta | | | | |
| 55 | 2 | 66060030R | Tulejka | | | | |
| 56 | 4 | 3024012R | Pierscien sprzysty | | | | |
| 57 | 1 | 66060537R | Zębatka napędowa lewego | | | | |
| 58 | 1 | 66060293AR | Pokrywa koła | | | | |
| 59 | 1 | 3047027R | Pasek | | | | |
| 60 | 1 | 66060419R | Koło pasowe | | | | |
| 61 | 1 | 3022020R | Sworzen | | | | |
| 62 | 1 | 66060538R | Zębatka napędowa prawa | | | | |
| 63 | 1 | 66060286R | Sprężyna | | | | |
| 64 | 2 | 66060010R | Walek | | | | |
| 65 | 1 | 66140034AR | Obudowa przekładni | | | | |
| 66 | 1 | 66060105R | Dźwignia napędu | | | | |
| 67 | 1 | 66140056R | Linka napędu | | | | |
| 68 | 2 | 3960059AR | Śruba | | | | |
| 69 | 1 | 66060259 | Mocowanie | | | | |
| 70 | 1 | 66060080R | Uchwyt | | | | |
| 71 | 1 | 66060258R | Panel sterowania | | | | |
| 72 | 1 | 66060118R | Pierścień | | | | |
| 73 | 3 | 3918013R | Podkładka | | | | |
| 74 | 1 | 8202126R | Wpust | | | | |
| 75 | 3 | 66060110R | Dystans | | | | |
| 76 | 2 | 3045033R | Podkładka | | | | |
| 77 | 1 | 66140058 | Podstawa/uchwyt | | | | |