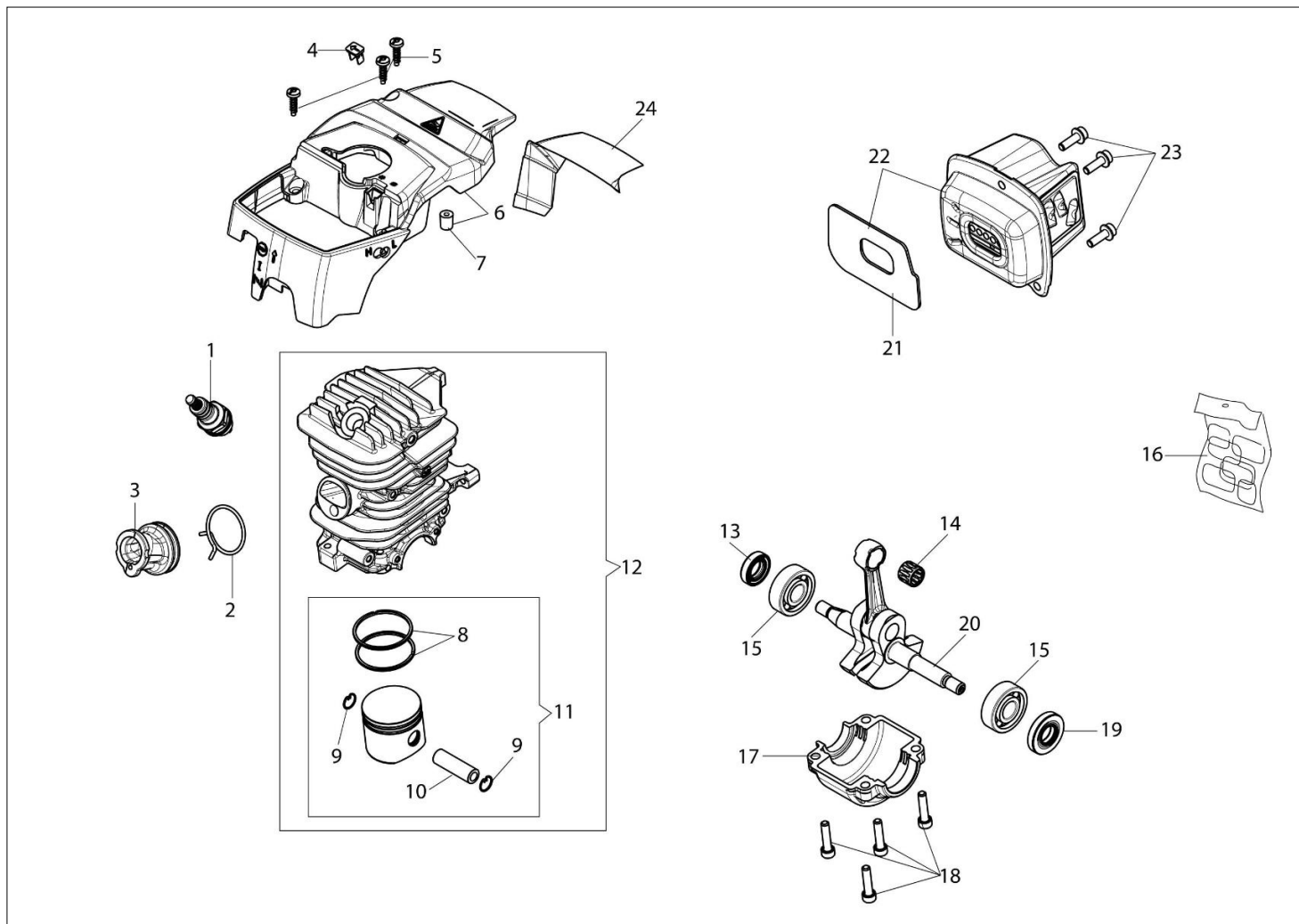


MT 3710 (Euro 2) Pilarki lancuchowe



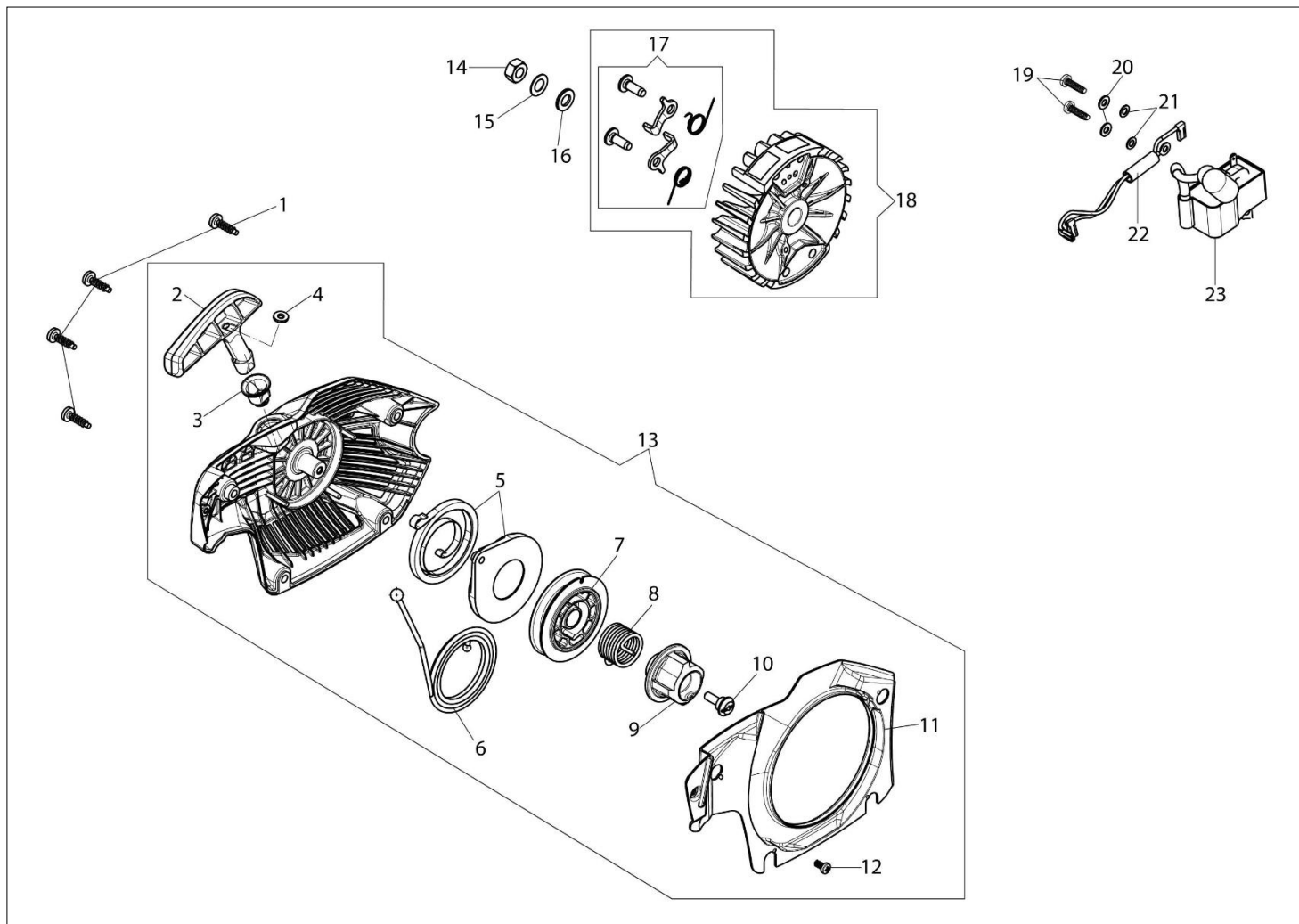
Dokumenty

Silnik
Układ zapłonowy
Skrzynia korbowa
Zbiornik i uchwyt
Sprzęgło i hamulec
Gaznik WT-780G



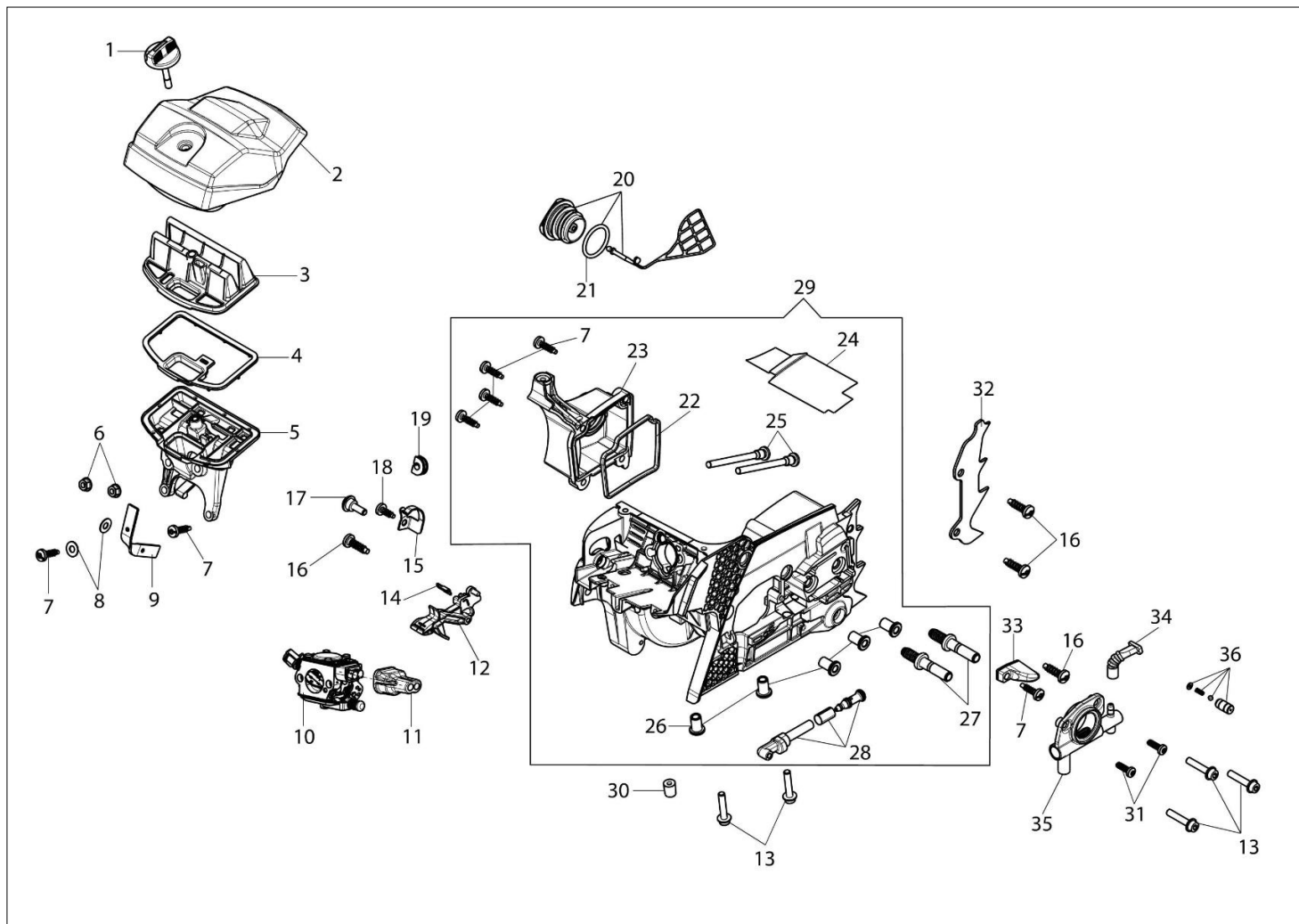
Ilustracja Silnik

| Znak | Ilosc | Kod artykul | Opis | Waznosc od | Waznosc do | Notakt | Biuletyny |
|------|-------|-------------|--------------------------|------------|------------|--------|-----------|
| 1 | 1 | 3055101 | Swieca zaplonowa | | | | |
| 2 | 1 | 094600103 | Tasma | | | | |
| 3 | 1 | 50170010R | Kolektor ssacy | | | | |
| 4 | 1 | 50170032R | Deflektor (lato/zimowy) | | | | |
| 5 | 3 | 3960115R | Sruba | | | | |
| 6 | 1 | 50180195R | Pokrywa | | | | |
| 7 | 1 | 50070126R | Dystans | | | | |
| 8 | 2 | 4196166R | Pierscien tlokowy | | | | |
| 9 | 2 | 004900061R | Pierscien | | | | |
| 10 | 1 | 50110047R | Pierscien tlokowy | | | | |
| 11 | 1 | 50180201 | Tlok kpl. | | | | |
| 12 | 1 | 50180200 | Cylinder kpl. | | | | |
| 13 | 1 | 50272004R | Pierscien uszczelniajacy | | | | |
| 14 | 1 | 50110044R | Lozysko | | | | |
| 15 | 2 | 094000006R | Lozysko | | | | |
| 16 | 1 | 50180203 | Zestaw etykiet | | | | |
| 17 | 1 | 50050016CR | Pokrywa | | | | |
| 18 | 4 | 3801051R | Sruba | | | | |
| 19 | 1 | 3050024AR | Pierscien uszczelniajacy | | | | |
| 20 | 1 | 50170324R | Wal korbowy | | | | |
| 21 | 1 | 50230158R | Uszczelka | | | | |
| 22 | 1 | 50180194 | Tlumik | | | | |
| 23 | 3 | 3860117R | Sruba | | | | |
| 24 | 1 | 50180143R | Oslona | | | | |



Ilustracja Układ zapłonowy

| Znak | Ilość | Kod artykuł | Opis | Ważność od | Ważność do | Notakt | Biuletyny |
|------|-------|-------------|-------------------------|------------|------------|--------|-----------|
| 1 | 4 | 3960115R | Sruba | | | | |
| 2 | 1 | 50170017R | Uchwyt | | | | |
| 3 | 1 | 094000038 | Tulejka | | | | |
| 4 | 1 | 006000829 | Podkładka | | | | |
| 5 | 1 | 50050073R | Sprężyna | | | | |
| 6 | 1 | 50070123R | Linka rozrusznika | | | | |
| 7 | 1 | 50170153R | Koło linowe rozrusznika | | | | |
| 8 | 1 | 50180107R | Sprężyna | | | | |
| 9 | 1 | 50180106R | Zębatka napędowa | | | | |
| 10 | 1 | 50160024 | Sruba | | | | |
| 11 | 1 | 50180141R | Kolnierz | | | | |
| 12 | 1 | 3960167R | Sruba | | | | |
| 13 | 1 | 50180075R | Rozrusznik kpl. | | | | |
| 14 | 1 | 004000142R | Nakretka | | | | |
| 15 | 1 | 3833080R | Podkładka | | | | |
| 16 | 1 | 3916009R | Podkładka | | | | |
| 17 | 1 | 50072029 | Zestaw zabieraków | | | | |
| 18 | 1 | 50180111AR | Koło magnesowe zestaw | | | | |
| 19 | 2 | 3960075R | Śruba | | | | |
| 20 | 2 | 3916004R | Podkładka | | | | |
| 21 | 2 | 006000315R | Podkładka | | | | |
| 22 | 1 | 50170090R | Przewód | | | | |
| 23 | 1 | 2501020R | Cewka zapłonowa | | | | |

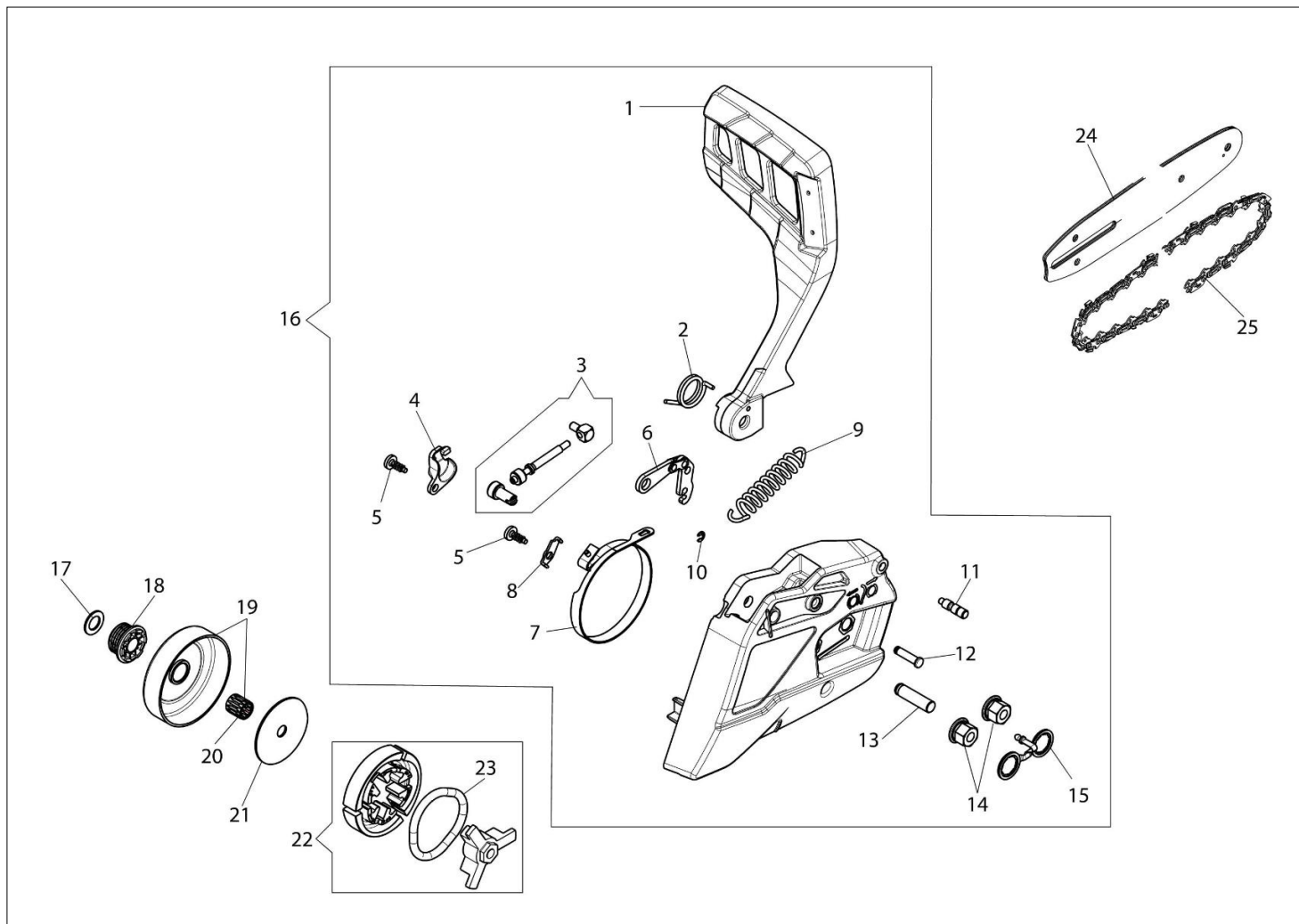


Ilustracja Skrzynia korbowa

| Znak | Ilosc | Kod artykul | Opis | Waznosc od | Waznosc do | Notakt | Biuletyny |
|------|-------|-------------|-------------------------|------------|------------|--------------|-----------|
| 1 | 1 | 50210034R | Pokretlo | | | | |
| 2 | 1 | 50180207R | Filtr powietrza pokrywa | | | | |
| 3 | 1 | 50230036R | Filtr powietrza | | | | |
| 4 | 1 | 50230038R | Uszczelka | | | | |
| 5 | 1 | 50230068R | Podstawa filtra | | | | |
| 6 | 2 | 3914003R | Nakretka | | | | |
| 7 | 7 | 3960115R | Sruba | | | | |
| 8 | 2 | 3818001R | Podkladka | | | | |
| 9 | 1 | 50050123BR | Oslona dodatkowa | | | | |
| 10 | 1 | 2318755ER | Gaznik WT-780G | | | | |
| 11 | 1 | 50170150R | Prowadnik sruby | | | | |
| 12 | 1 | 50180140R | Dzwignia | | | | |
| 13 | 1 | 3860099R | Sruba | | | | |
| 14 | 1 | 50170062R | Plytka | | | | |
| 15 | 1 | 50170061R | Sprezyna | | | | |
| 16 | 3 | 3960099R | Sruba | | | | |
| 16 | 1 | 3960099R | Sruba | | | | |
| 17 | 1 | 50160024 | Sruba | | | | |
| 18 | 1 | 3960070R | Sruba | | | | |
| 19 | 1 | 005000347AR | Przelotka | | | | |
| 20 | 1 | 50052005R | Korek kpl. | | | | |
| 21 | 1 | 3049047R | O-ring | | | | |
| 22 | 1 | 50170004R | Uszczelka | | | | |
| 23 | 1 | 50180064R | Pokrywa | | | | |
| 24 | 1 | 50180144R | Oslona | | | | |
| 25 | 2 | 50070067A | Ciegno | | | | |
| 26 | 5 | 50050067R | Dystans | | | | |
| 27 | 2 | 50050052R | Szpilka | | | | |
| 28 | 1 | 50170149R | Filtr oleju | | | | |
| 29 | 1 | 50180145R | Skrzynia korbowa kpl. | | | | |
| 30 | 1 | 50070126R | Dystans | | | | |
| 31 | 2 | 3860099R | Sruba | | | | |
| 32 | 1 | 50180091R | Zebatka oporowa | | | | |
| 33 | 1 | 094600369R | Oslona | | | | |
| 34 | 1 | 50050049R | Waz | | | | |
| 35 | 1 | 50180007BR | Pompa olejowa | | | Fissa; Fixed | |
| 36 | 1 | 097000229R | Zawór odpowietrznika | | | | |

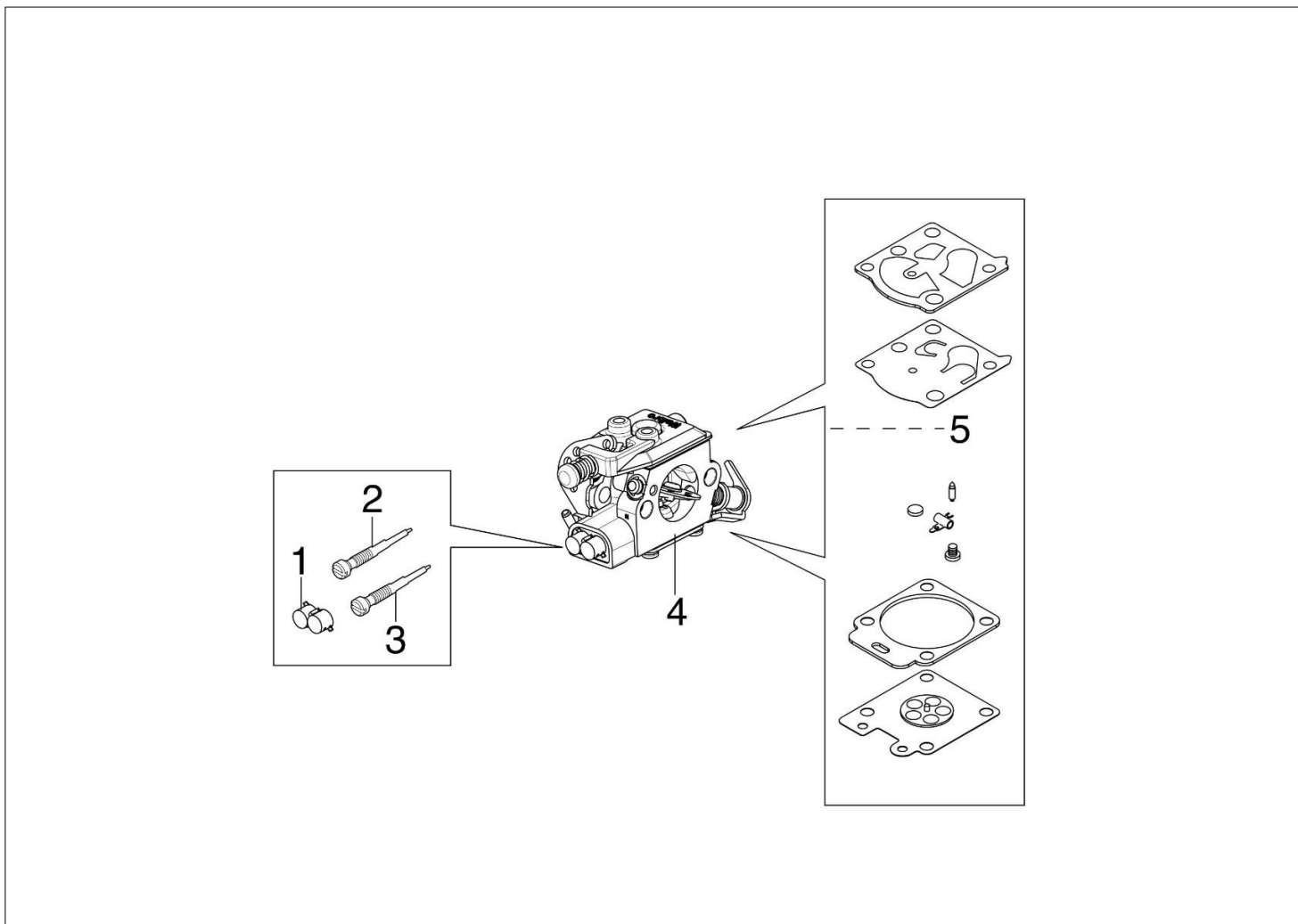
Ilustracja Zbiornik i uchwyt

| Znak | Ilosc | Kod artykul | Opis | Waznosc od | Waznosc do | Notakt | Biuletyny |
|------|-------|-------------|----------------------|------------|------------|--------|-----------|
| 1 | 1 | 50052005R | Korek kpl. | | | | |
| 2 | 1 | 3049047R | O-ring | | | | |
| 3 | 1 | 2318817R | Pompka rozruchowa | | | | |
| 4 | 1 | 50170121R | Oslona | | | | |
| 5 | 1 | 50170322R | Waz | | | | |
| 6 | 1 | 50170321R | Waz | | | | |
| 7 | 1 | 50010061R | Amortyzator | | | | |
| 8 | 1 | 50180197 | Dzwignia gazu kpl. | | | | |
| 9 | 1 | 097000028R | Sprezyna | | | | |
| 10 | 1 | 50050096AR | Dzwignia | | | | |
| 11 | 1 | 50180109R | Pokrywa | | | | |
| 12 | 1 | 3073015AR | Waz | | | | |
| 13 | 1 | 094500577AR | Zawór odpowietrznika | | | | |
| 14 | 1 | 094500575R | Sprezyna | | | | |
| 15 | 1 | 50050071R | Zawór odpowietrznika | | | | |
| 16 | 1 | 50180092R | Kompletny zbiornik | | | | |
| 17 | 1 | 094600450R | Filtr paliwa | | | | |
| 18 | 1 | 61110162BR | Tulejka | | | | |
| 19 | 3 | 50170034R | Mocowanie | | | | |
| 20 | 2 | 3960115R | Sruba | | | | |
| 21 | 3 | 50050047AR | Sprezyna | | | | |
| 22 | 5 | 3960099R | Sruba | | | | |
| 23 | 1 | 3993070R | Sruba | | | | |
| 24 | 1 | 50180108R | Uchwyt | | | | |



Ilustracja Sprzeglo i hamulec

| Znak | Ilosc | Kod artykul | Opis | Waznosc od | Waznosc do | Notakt | Biuletyny |
|------|-------|-------------|-------------------------------|------------|------------|-----------------------------|-----------|
| 1 | 1 | 50180114R | Oslona reki | | | | |
| 2 | 1 | 50010088AR | Sprezyna | | | | |
| 3 | 1 | 50162017A | Napinacz lancucha | | | | |
| 4 | 1 | 50170044R | Pokrywa | | | | |
| 5 | 2 | 3960070R | Sruba | | | | |
| 6 | 1 | 097000146 | Dzwignia | | | | |
| 7 | 1 | 50050039R | Tasma hamulca | | | | |
| 8 | 1 | 50050125R | Plytka | | | | |
| 9 | 1 | 095000219AR | Sprezyna | | | | |
| 10 | 1 | 3026003R | Pierscien | | | | |
| 11 | 1 | 50050064R | Trzpien (zabezpieczajacy) | | | | |
| 12 | 1 | 097000106R | Sworzen | | | | |
| 13 | 1 | 50050066 | Sworzen | | | | |
| 14 | 2 | 3980021R | Nakretka | | | | |
| 15 | 2 | 50180147R | Blokada | | | | |
| 16 | 1 | 50180067R | Oslona lancucha kpl. | | | | |
| 17 | 1 | 004400285 | Podkladka | | | | |
| 18 | 1 | 50060008R | Zebatka slimakowa .325 | | | Per modelli MT 411 - 4110 - | |
| 18 | 1 | 50050025R | Zebatka slimakowa 3/8 | | | Per modelli MT 371 - 3710 - | |
| 19 | 1 | 50060033A | Beben sprzegla .325 | | | 411 - 4110; For model MT | |
| 19 | 1 | 50050136A | Zebatka napedowa lancucha 3/8 | | | Per modelli MT 411 - 4110 - | |
| | | | | | | 71 - 3710 - 411 - 4110 - | |
| | | | | | | Per modelli MT 371 - 3710 - | |
| | | | | | | 411 - 4110; For model MT | |
| | | | | | | 371 - 3710 - 411 - 4110; | |
| 20 | 1 | | | | | | |
| 21 | 1 | | | | | | |
| 22 | 1 | | | | | | |
| 23 | 1 | | | | | | |
| 24 | 1 | | | | | | |
| 24 | 1 | | | | | | |
| 25 | 1 | | | | | | |



Ilustracja Gaznik WT-780G

| Znak | Ilosc | Kod artykul | Opis | Waznosc od | Waznosc do | Notakt | Biuletyny |
|------|-------|-------------|-------------------|------------|------------|--------|-----------|
| 1 | 2 | 2318867R | Pokrywa | | | | |
| 2 | 1 | 2318893 | Śruba L | | | | |
| 3 | 1 | 2318837 | Sruba regulacyjna | | | | |
| 4 | 1 | 2318755ER | Gaznik WT-780G | | | | |
| 5 | 1 | 2318671 | Zestaw naprawczy | | | | |